

# ILLUSTRATED PARTS BREAKDOWN

**PARTNER**

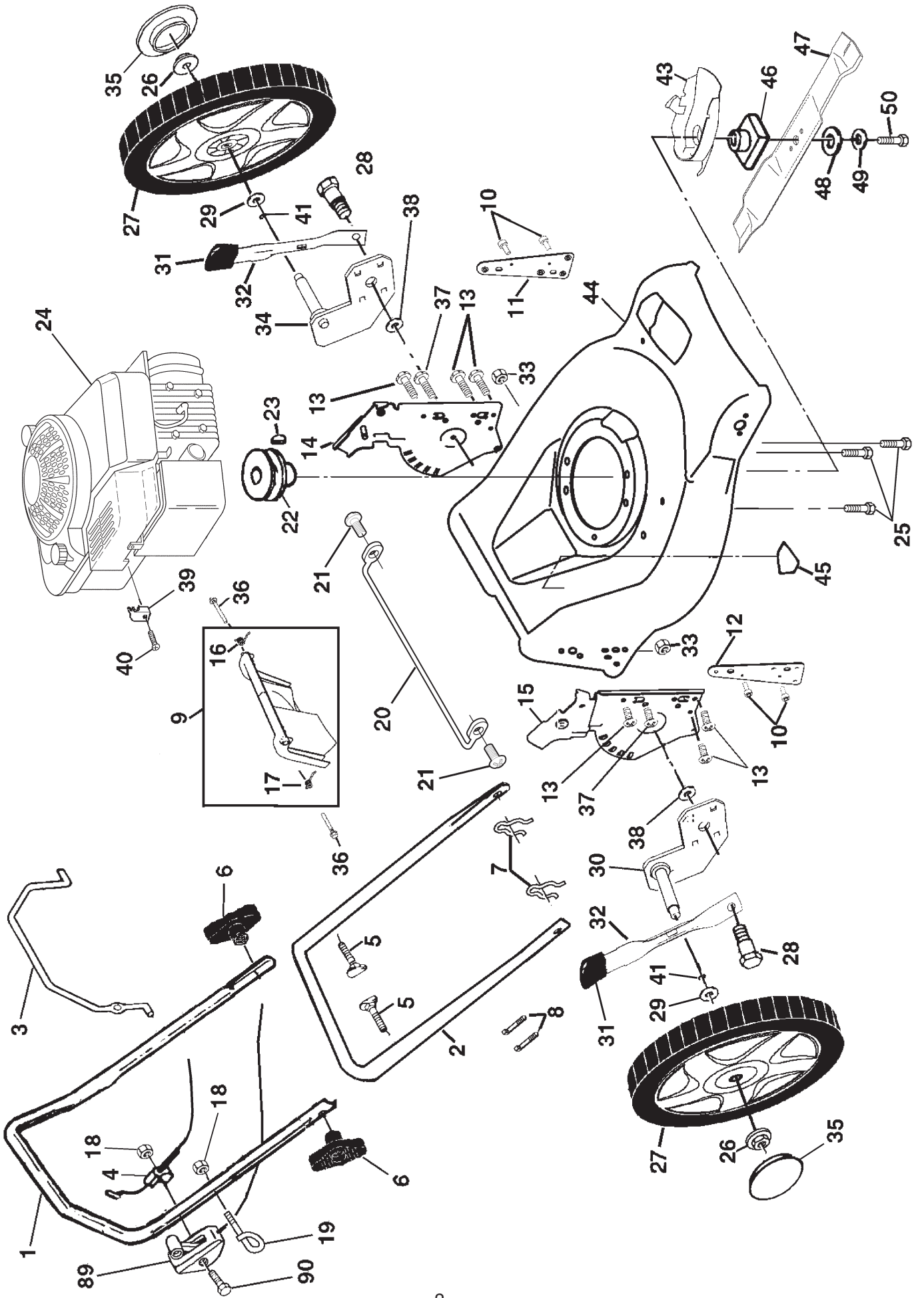
**5.0 HORSEPOWER**

**21" REAR-DISCHARGE LAWN MOWER**

**MODEL NO. P5053SD2 (P5053HW2B)**

**964 79 22-00**

ROTARY LAWN MOWER -- MODEL NUMBER P5053SD2 (P5053HW2B) PRODUCT NUMBER 964 79 22-00

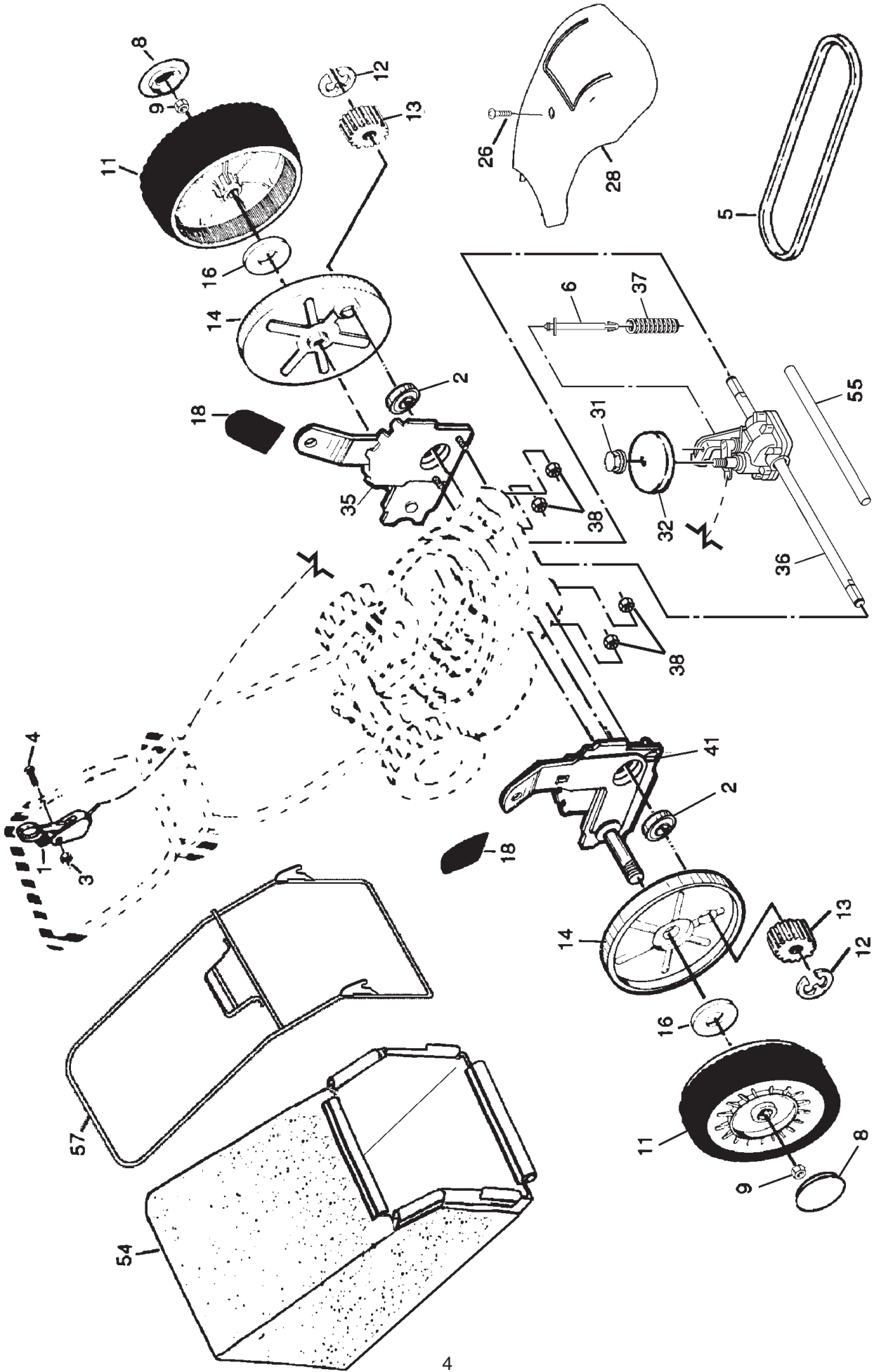


**ROTARY LAWN MOWER -- MODEL NUMBER P5053SD2 (P5053HW2B) PRODUCT NUMBER 964 79 22-00**

KEY NO.	PART NO.	DESCRIPTION	KEY NO.	PART NO.	DESCRIPTION
1	532 17 80-67	Upper Handle	29	<b>532 08 83-48</b>	Washer, Flat 3/8
2	532 15 36-05	Lower Handle	30	532 18 25-41	Axle Arm Assembly, RR
3	<b>532 19 00-60</b>	Control Bar	31	532 17 54-78	Selector Knob
4	532 13 31-07	Engine Zone Control Cable	32	532 18 25-37	Selector Spring
5	532 13 19-59	Handle Bolt	33	873 80 05-00	Nut, Hex 5/16-18
6	532 17 01-46	Handle Knob	34	532 18 25-42	Axle Arm Assembly, LR
7	532 05 17-93	Hairpin Cotter	35	532 18 06-24	Hubcap
8	532 06 64-26	Wire Tie	36	532 18 41-93	Bolt
9	532 18 04-79	Rear Door Kit (Includes Key #16 and 17)	37	<b>532 15 00-78</b>	Thread Cutting Screw w/Sems 5/16-18 x 3/4
10	532 12 84-15	Pop Rivet	38	<b>532 18 39-01</b>	Washer
11	532 18 25-38	Support Bracket, LH	39	532 11 11-90	Clamp, Cable
12	532 18 25-39	Support Bracket, RH	40	532 08 38-16	Screw
13	817 06 04-10	Screw 14-20 x 5/8	41	<b>532 18 81-52</b>	O-Ring
14	532 18 25-43	Handle Bracket Assembly, LH	43	532 17 50-83	Debris Shield
15	532 18 25-45	Handle Bracket Assembly, RH	44	532 18 69-86	Kit, Lawn Mower Housing (Includes Key Numbers 10, 11, 12 and 45)
16	532 18 00-71	Spring, LH	45	532 18 21-66	Danger Decal
17	532 18 00-72	Spring, RH	46	<b>532 18 46-32</b>	Blade Adapter
18	532 13 20-04	Keys Locknut 1/4-20	47	532 17 50-52	Blade, 21"
19	532 17 95-85	Rope Guide	48	532 85 10-74	Hardened Washer
20	532 17 92-05	Foot Guard, C.E.	49	532 85 02-63	Helical Washer 3/8-24 x 1-3/8 Grade 8
21	532 05 45-83	Screw, Tapping 1/4-20 x 1/2	50	532 85 10-84	Hex Head Machine Screw 3/8-24 x 1-3/8 Grade 8
22	<b>532 18 49-41</b>	Engine Pulley	89	532 17 02-94	Throttle Control
23	<b>532 18 77-23</b>	Hi-Pro Key	90	<b>532 18 33-65</b>	Screw
24	---	Engine, Briggs & Stratton, Model No. 123K02 (Order Parts From Engine Manufacturer)	--	532 18 76-04	Operator's Manual, European
25	532 15 04-06	Hex Head Thread Rolling Screw 3/8-16 x 1-1/8	--	532 18 76-05	Operator's Manual, Scandinavian
26	532 08 39-23	Hex Flange Nut			
27	532 18 17-85	Wheel			
28	532 16 08-28	Shoulder Bolt 5/16-18 x .33			

**NOTE:** All component dimensions given in U.S. inches.  
1 inch = 25.4 mm

ROTARY LAWN MOWER -- MODEL NUMBER P5053SD2 (P5053HW2B) PRODUCT NUMBER 964 79 22-00



**ROTARY LAWN MOWER - - MODEL NUMBER P5053SD2 (P5053HW2B) PRODUCT NUMBER 964 79 22-00**

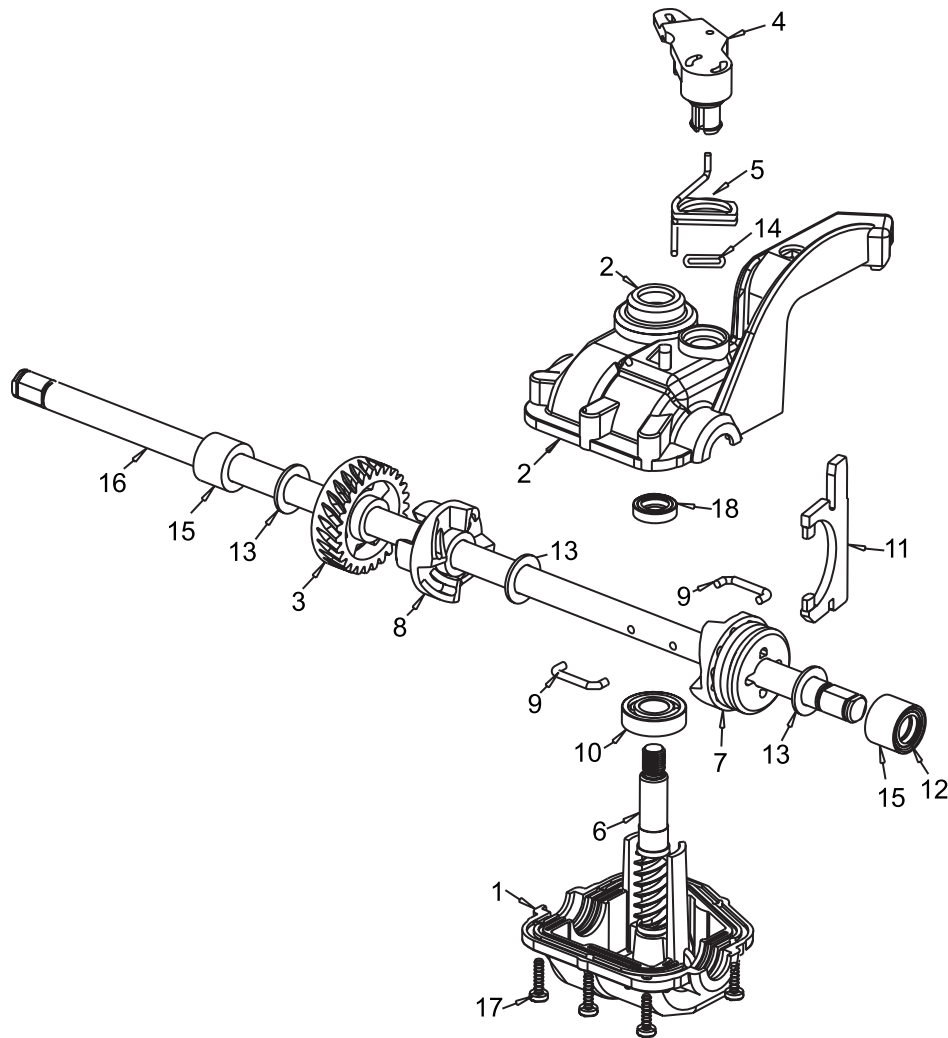
KEY NO.	PART NO.	DESCRIPTION	KEY NO.	PART NO.	DESCRIPTION
1	532 18 45-87	Control Cable Assembly	28	532 18 14-68	Drive Cover
2	532 16 73-87	Bearing, Wheel Adjuster	31	532 13 20-10	Hex Flange Nut
3	532 75 11-52	Locknut #10-24	32	<b>532 18 94-07</b>	Drive Pulley
4	532 15 87-55	Hex Washer Head Screw 1/4-20 x 2.12	35	532 15 15-21	Kit, Wheel Adjuster, LH (Includes Knob and Bearing)
5	532 17 54-36	V-Belt	36	532 18 01-84	Gearcase Assembly (See Breakdown)
6	532 15 04-95	Spring Retainer	37	532 13 70-90	Spring
8	532 16 43-78	Hubcap	38	873 80 04-00	Locknut 1/4-20
9	532 14 52-12	Locknut	41	532 15 15-20	Kit, Wheel Adjuster, RH (Includes Knob and Bearing)
11	532 18 07-67	Wheel & Tire Assembly	54	<b>532 19 04-61</b>	Grassbag
12	812 00 00-58	E-Ring	55	532 17 57-39	Driveshaft Cover
13	532 13 70-54	Pinion	57	<b>532 18 88-15</b>	Frame, Grassbag
14	532 18 05-04	Dust Cover			
16	532 06 77-25	Washer 1/2 x 1-1/2 x .134			
18	532 17 01-43	Selector Knob			
26	532 17 52-62	Pan Head Tapping Screw #10-24 x 2-3/4			

**NOTE:** All component dimensions given in U.S. inches.  
1 inch = 25.4 mm

# ROTARY LAWN MOWER - - MODEL NUMBER P5053SD2 (P5053HW2B)

## PRODUCT NUMBER 964 79 22-00

### GEARCASE ASSEMBLY - PART NUMBER 532 18 01-84



KEY NO.	PART NO.	DESCRIPTION
1	532 18 34-97	Case, Lower
2	532 18 34-98	Case, Upper
3	532 18 34-99	Gear, 27 Teeth
4	532 18 35-00	Lever, Clutch
5	532 18 35-01	Spring, Return
6	532 18 35-02	Shaft, Input
7	532 18 35-03	Dog, Movable
8	532 18 35-04	Dog, Fixed
9	532 18 35-05	Wire, Formed
10	532 18 35-06	Bearing, Ball
11	532 18 35-07	Fork, Shift
12	532 18 35-08	Seal, Output Shaft
13	532 18 35-09	Washer
14	532 18 35-10	Seal, Case
15	532 18 35-11	Bushing
16	532 18 35-12	Shaft, Output
17	532 18 35-13	Screw
18	532 18 35-14	Seal, Input Shaft
--	532 18 34-04	Kit, Gearcase Replacement

**NOTE:** Use Dow Corning #709 to reseal Gear Case Halves.

**NOTE:** All component dimensions given in U.S. inches.  
1 inch = 25.4 mm